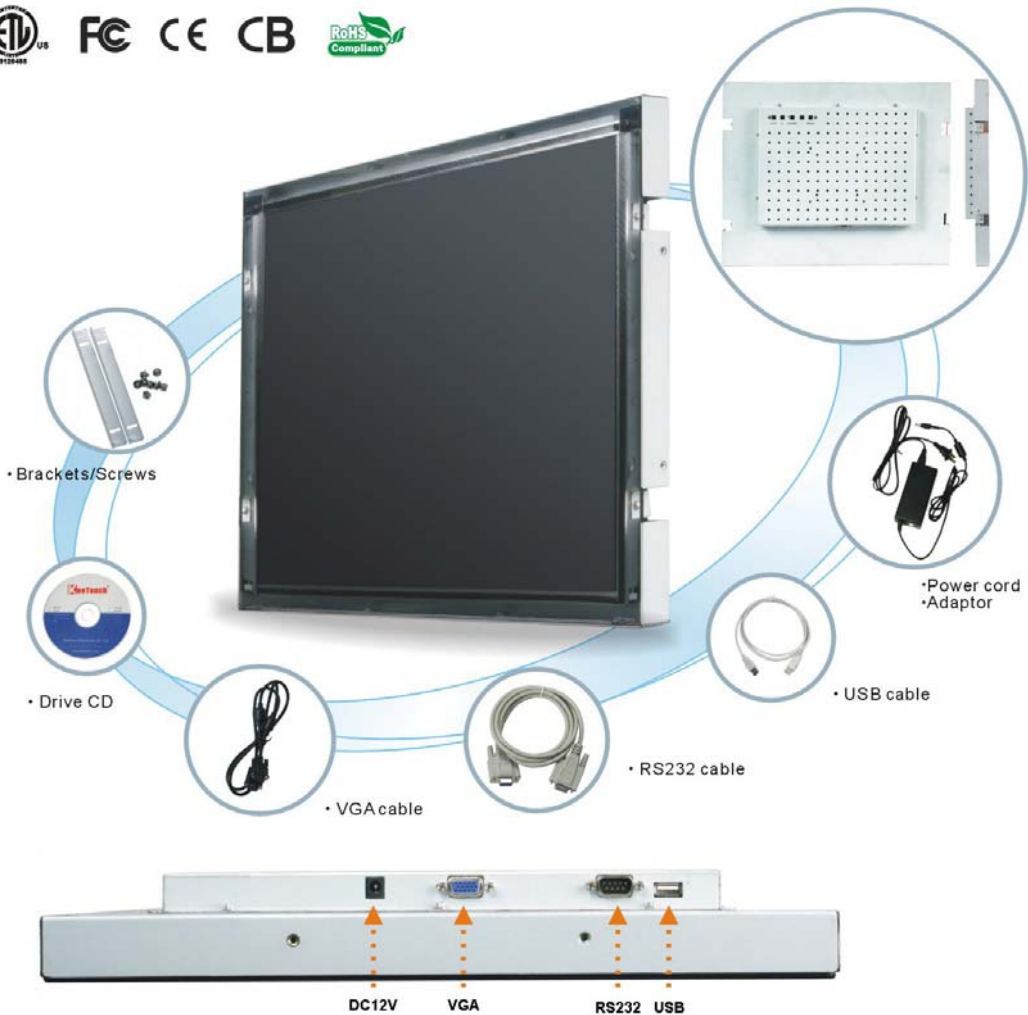




Open-Frame SAW Touch LCD Monitor (STANDARD)



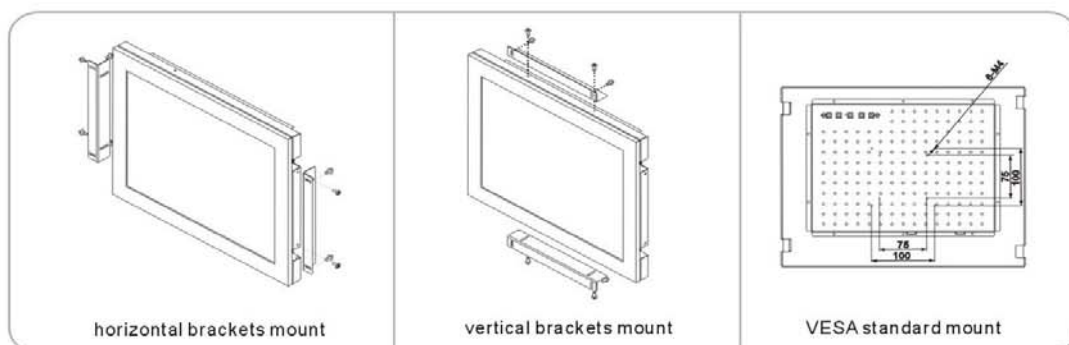
Main Features:

- 15.0", 17.0" and 19.0" sizes available.
- Proven SAW touch technology.
- The perfect solution for integrating touch and LCD.
- Dual USB and RS232 touch interface.
- High brightness, high contrast, fast response time.
- Horizontal and vertical mounting options via brackets plus VESA mounting.
- Worldwide agency approvals held, ETL, FCC, CE, CB plus RoHS compliancy.

Accessories

- AC Adaptor
- Power Cable
- USB Cable
- RS232 Cable
- VGA Cable
- Driver CD
- Brackets & Screws

Technical specification:			
	15"	17"	19"
Model	KOT-0150US-SA4B	KOT-0170US-SA4B	KOT-0190US-SA4B
Structure	Metal-cased open frame		
LCD Type	15" Active matrix TFT-LCD	17" Active matrix TFT-LCD	19" Active matrix TFT-LCD
Active Area	12" (304mm)×9" (228mm)	13.3" (338mm)×10.6" (270mm)	14.8" (376.3mm)×11.9" (301mm)
Monitor Dimensions	Width: 352mm	Width: 388mm	Width: 432mm
	Width with brackets: 392mm	Width with brackets: 428mm	Width with brackets: 472mm
	Height: 280mm	Height: 316mm	Height: 351mm
	Height with brackets: 320mm	Height with brackets: 356mm	Height with brackets: 391mm
Suggested Resolution	1024×768	1280×1024	
Suggested Resolution	1024×768 at 60,70,75 Hz;	1280×1024 at 60,75 Hz;	
	800×600 at 60,72,75 Hz;	1024×768 at 60,70,75 Hz;	
	640×480 at 60,72,75 Hz;	800×600 at 60,72,75 Hz;	
	640×400 at 70 Hz	640×480 at 60,72,75 Hz;	
	720×400 at 70 Hz	640×400 at 70 Hz	
		720×400 at 70 Hz	
Support Colors	16.2M		
Brightness(Typ.)	Pure LCD Panel: 250cd/m2	Pure LCD Panel: 300cd/m2	
	With SAW Glass Sensor: 225cd/m2	With SAW Glass Sensor: 275cd/m2	
Response Time(Typ.)	16ms	8ms	
Viewing Angle (Typ.at Cr>10)	Horizontal(left/right): 60° /60° Vertical(up/down): 40° /60°	Horizontal(left/right): 75° /75° Vertical(up/down): 75° /60°	
Contrast Ratio(Typ.)	450:1	700:1	
Video Input	Analog RGB		
Signal Input	H/V Separate Sync. (TTL)		
Video Signal Input Connector	Mini D-Sub 15-pin VGA		
Frequency (H/V)	30~80KHz / 60~75Hz		
Power Supply	Type: External brick Input (line) voltage: 100-240 VAC, 50-60 Hz Output voltage/current: 12 volts at 4 amps max		
Environment	Operating Temp:0~50° C Storage Temp:-20~60° C Operating RH:20%~80% Storage RH:10%~90%		
MTBF	50,000 Hours		
LCD Back light Life(Typ.)	50,000 Hours		
Weight (N.W/G.W)	3Kg / 4.5Kg	5Kg / 7.2Kg	5.8Kg / 8Kg
Power Consumption	30W Max.	40W Max.	50W Max.
Mount Interface	1)VESA 75mm and 100mm		
	2)Mount bracket, horizontal or vertical (Standard mount brackets are supplied)		
OSD Control	Buttons: AUTO, +, POWER, -, MENU		
	Function : Brightness, Contrast Ratio, Auto-adjust, Phase, Clock, H/V Location, Languages, Function, Reset		
Touch screen Type	SAW 4MM thickness of touch sensor (Available Options: Thickness/Anti-glare/Tempered)		
Touch System Interface	Having USB and serial interface		
Touch Response time	≤10ms		
Agency Approval	ETL, FCC, CE, RoHS		
Regular Warranty	5 years for SAW Sensor; 3 years for controller; 1 year for LCD		
NOTE: The display SPEC. will change follow the relevant LCD panel brand and model			



Craft Data Limited

92 Broad Street, Chesham, Bucks, HP5 3ED, UK

☎ 44 (0)1494 778235, 📠 44 (0)1494 773645

✉ sales@craftdata.co.uk , 🌐 www.craftdata.co.uk